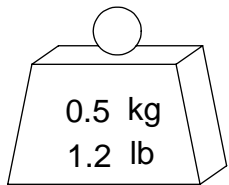
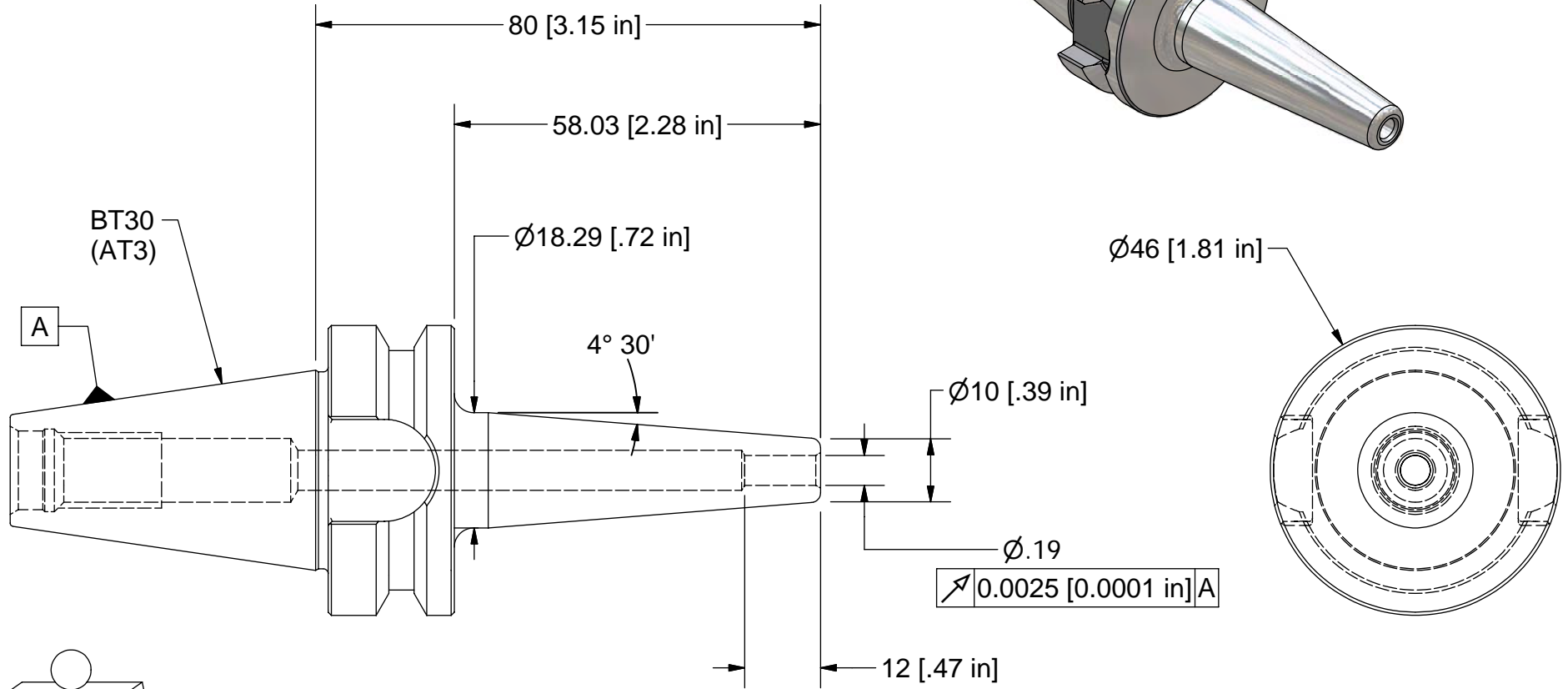
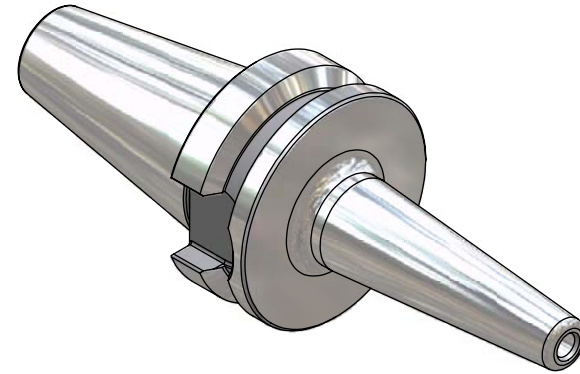


JIS	MAS 403 BT
DIN	69882-8



BALANCE
G2.5 @ 25,000 RPM

PART NUMBER
BT30-18SF315-9

PARLEC
 (800) TOOL USA
 WORLD HEADQUARTERS
 101 PERINTON PARKWAY
 FAIRPORT, NEW YORK 14450