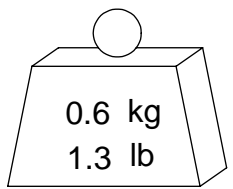
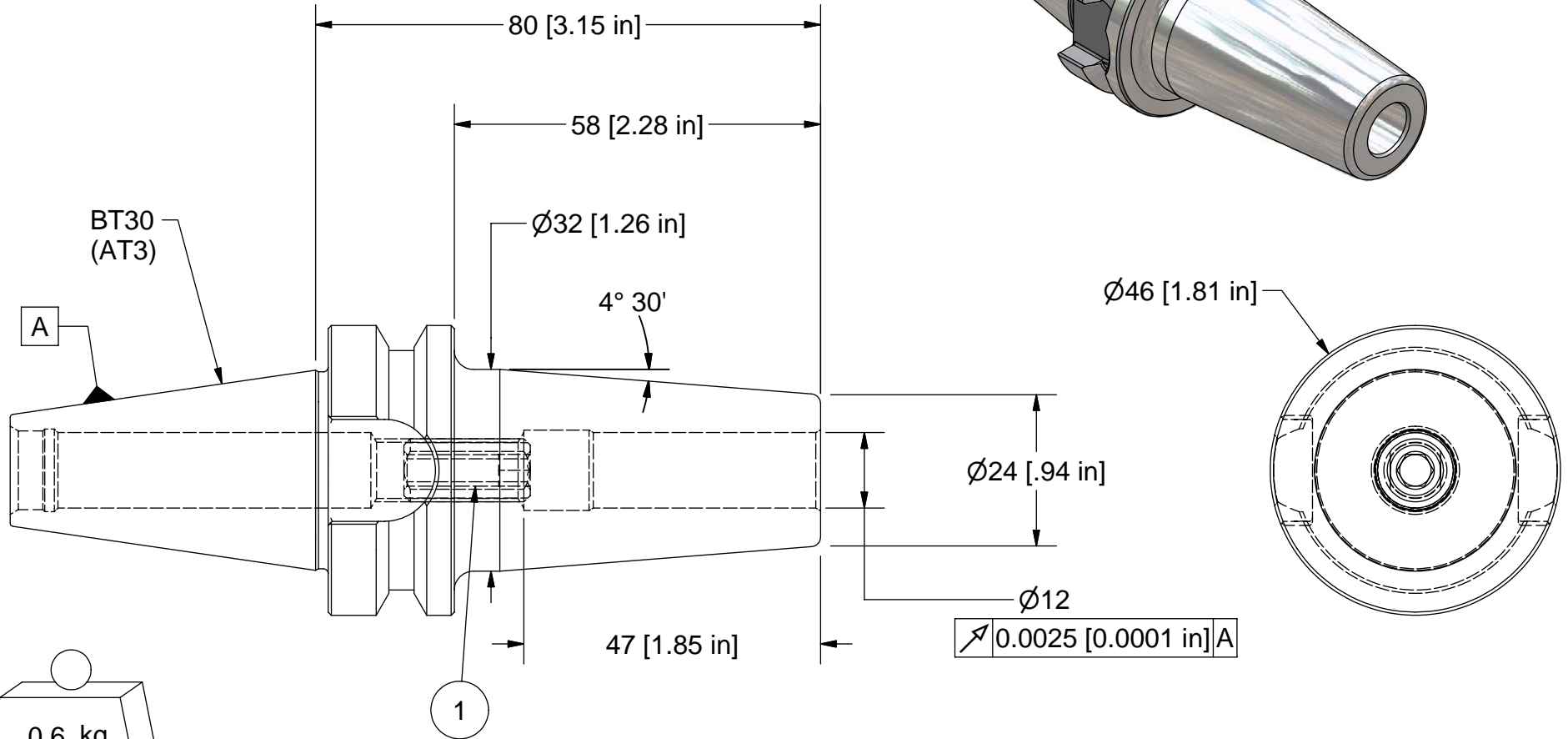
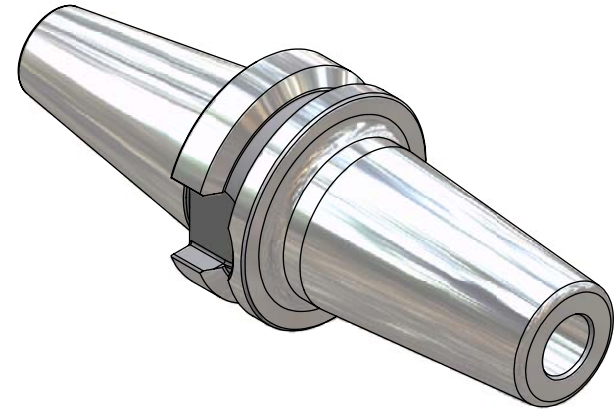


Parts List

ITEM	QTY	PART NUMBER	DESCRIPTION	
1	1	BS-SFM101-20	ADJUSTING SCREW	OPTIONAL

JIS	MAS 403 BT
DIN	69882-8



BALANCE
G2.5 @ 25,000 RPM

PART NUMBER
BT30-M12SF80-9

PARLEC
 (800) TOOL USA
 WORLD HEADQUARTERS
 101 PERINTON PARKWAY
 FAIRPORT, NEW YORK 14450