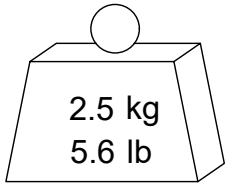
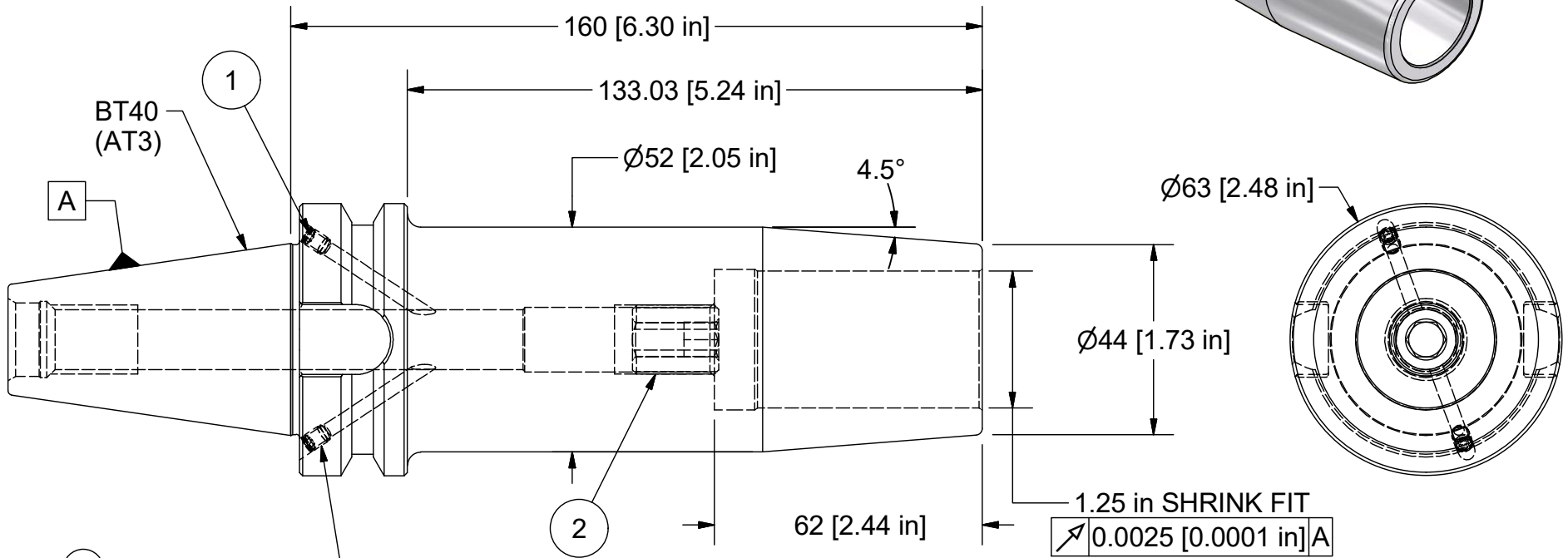
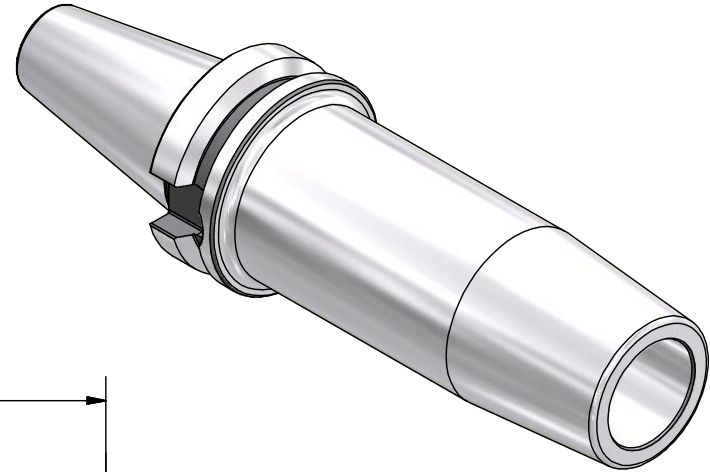


Parts List

| ITEM | QTY | PART NUMBER | DESCRIPTION |
|------|-----|--------------|---------------------------------------|
| 1 | 2 | 029-965 | SET SCREW, M4 x 6 W/360 DEG. PATCH |
| 2 | 1 | BS-SFM161-20 | ADJUSTING SCREW OPTIONAL |



2.5 kg
5.6 lb

FORM AD (THROUGH SPINDLE)
REMOVE FOR FORM B (FLANGE ENTRY)

BALANCE
G2.5 @ 20,000 RPM

PART
NUMBER

BT40-12SF630-9

PARLEC
 (800) TOOL USA
 WORLD HEADQUARTERS
 101 PERINTON PARKWAY
 FAIRPORT, NEW YORK 14450

