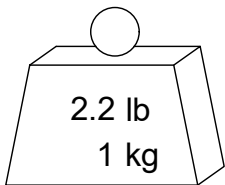
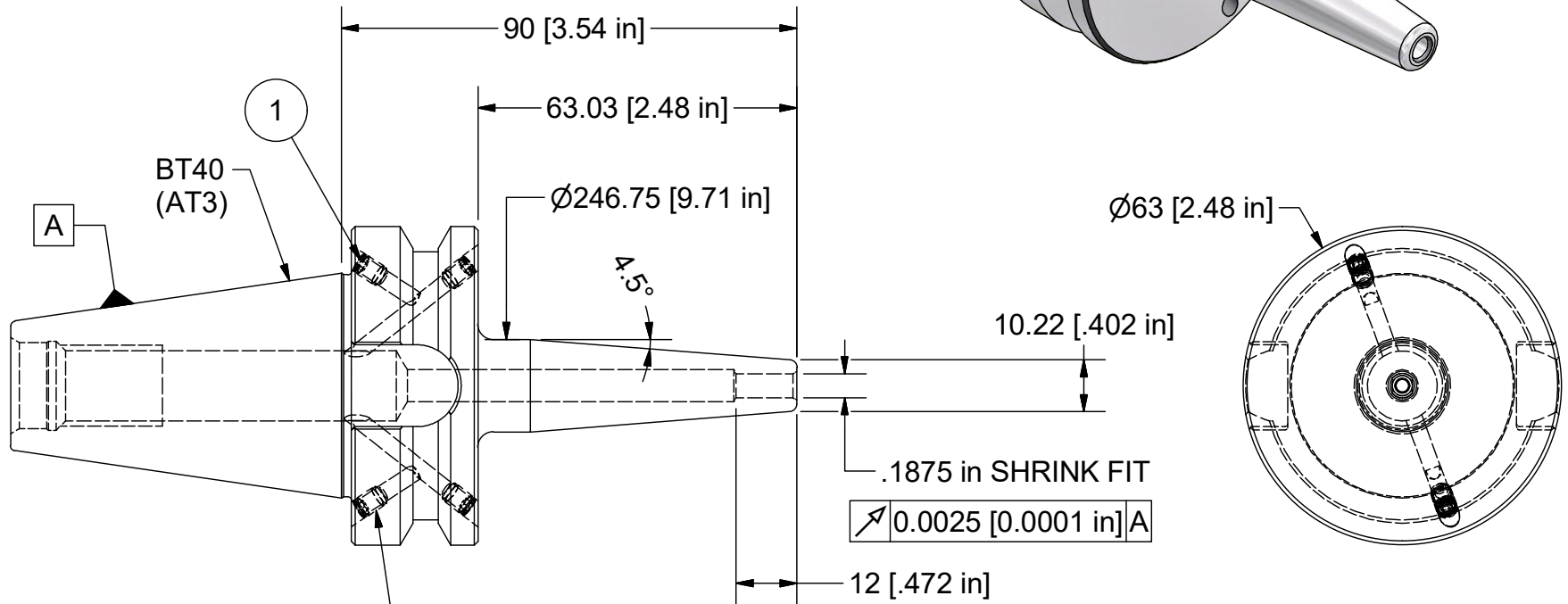
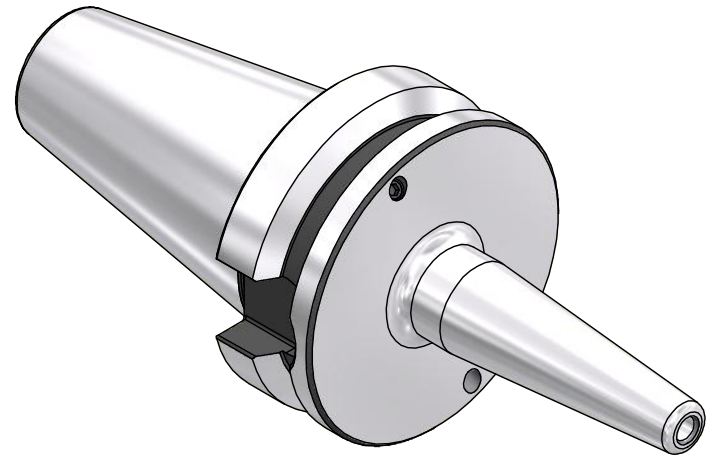


Parts List

ITEM	QTY	PART NUMBER	DESCRIPTION
1	4	029-965	SET SCREW, M4 x 6 W/360 DEG. PATCH

JIS	MAS 403 BT
DIN	69882-8



FORM AD (THROUGH SPINDLE)  
REMOVE FOR FORM B (FLANGE ENTRY)

BALANCE  
G2.5 @ 20,000 RPM

PART  
NUMBER

**BT40-18SF354-9**

**PARLEC**  
 (800) TOOL USA  
 WORLD HEADQUARTERS  
 101 PERINTON PARKWAY  
 FAIRPORT, NEW YORK 14450