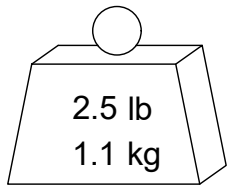
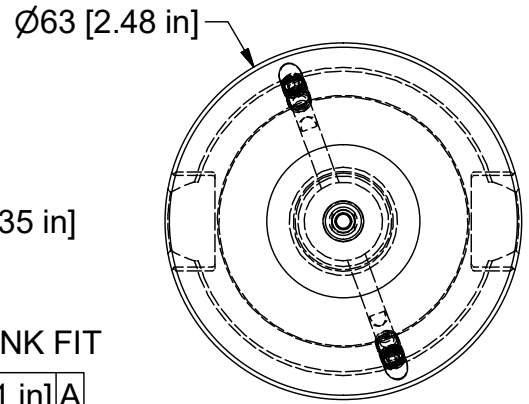
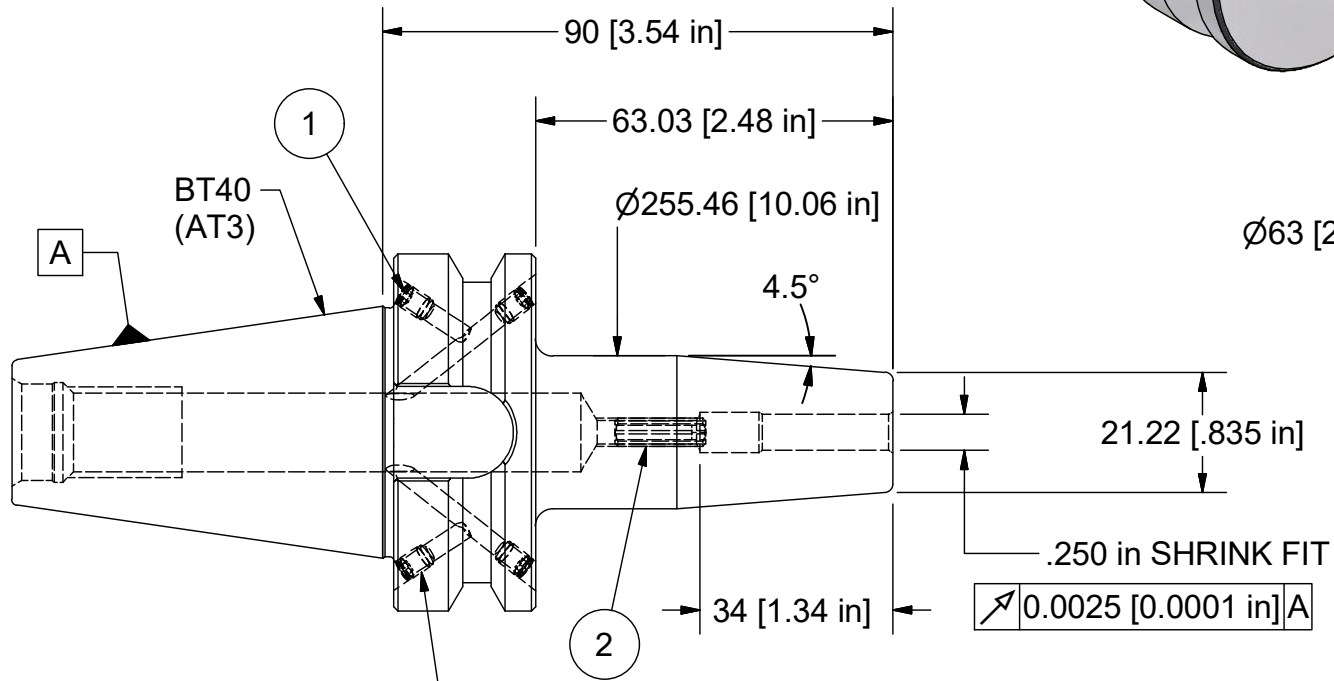
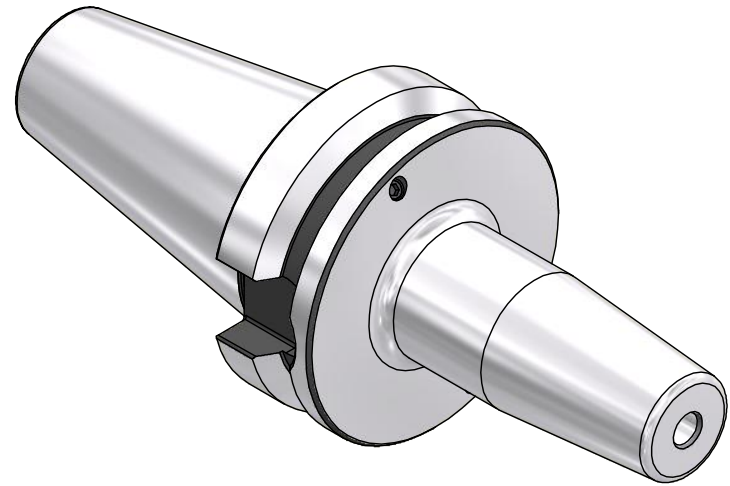


Parts List

ITEM	QTY	PART NUMBER	DESCRIPTION	
1	4	029-965	SET SCREW, M4 x 6 W/360 DEG. PATCH	
2	1	BS-SFM058-16	ADJUSTING SCREW	OPTIONAL



FORM AD (THROUGH SPINDLE)
REMOVE FOR FORM B (FLANGE ENTRY)

BALANCE
G2.5 @ 20,000 RPM

PART NUMBER
BT40-25SF354-9

PARLEC
 (800) TOOL USA
 WORLD HEADQUARTERS
 101 PERINTON PARKWAY
 FAIRPORT, NEW YORK 14450