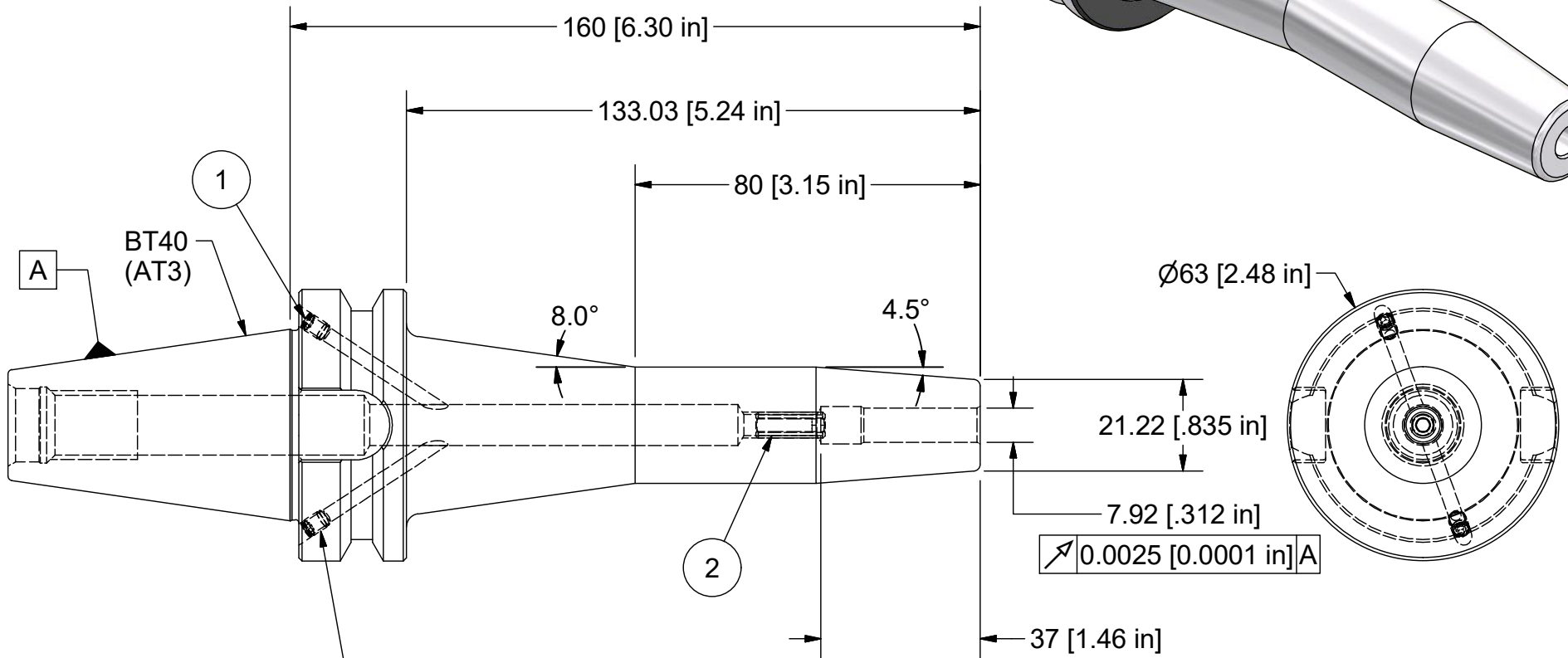
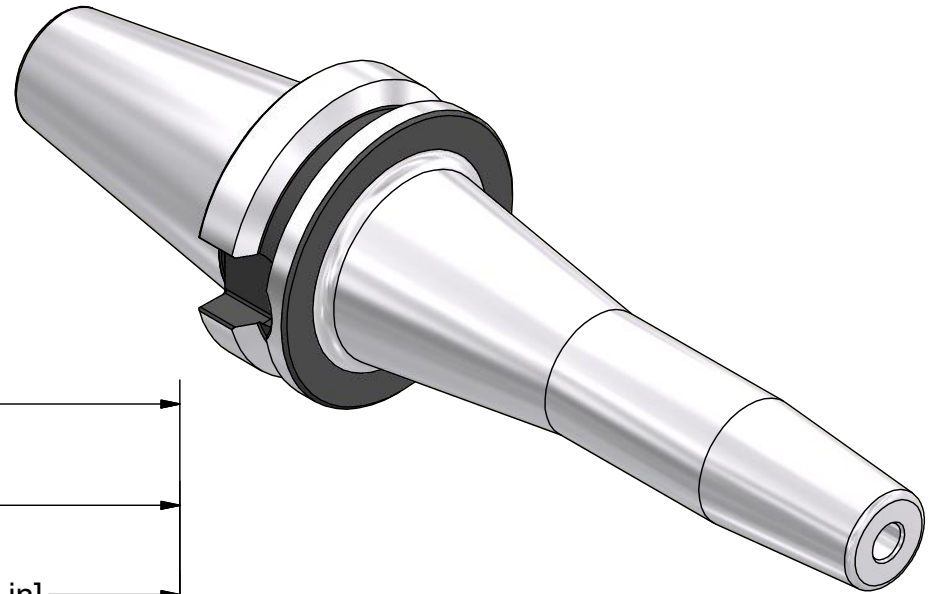
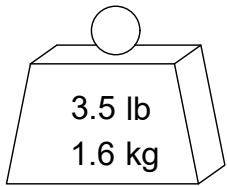


Parts List

ITEM	QTY	PART NUMBER	DESCRIPTION
1	2	029-965	SET SCREW, M4 x 6 W/360 DEG. PATCH
2	1	BS-SFM061-16	ADJUSTING SCREW OPTIONAL



FORM AD (THROUGH SPINDLE)
REMOVE FOR FORM B (FLANGE ENTRY)



3.5 lb
1.6 kg

BALANCE
G2.5 @ 20,000 RPM

PART
NUMBER

BT40-31SF630-9

PARLEC
(800) TOOL USA
WORLD HEADQUARTERS
101 PERINTON PARKWAY
FAIRPORT, NEW YORK 14450