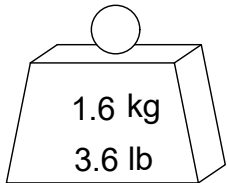
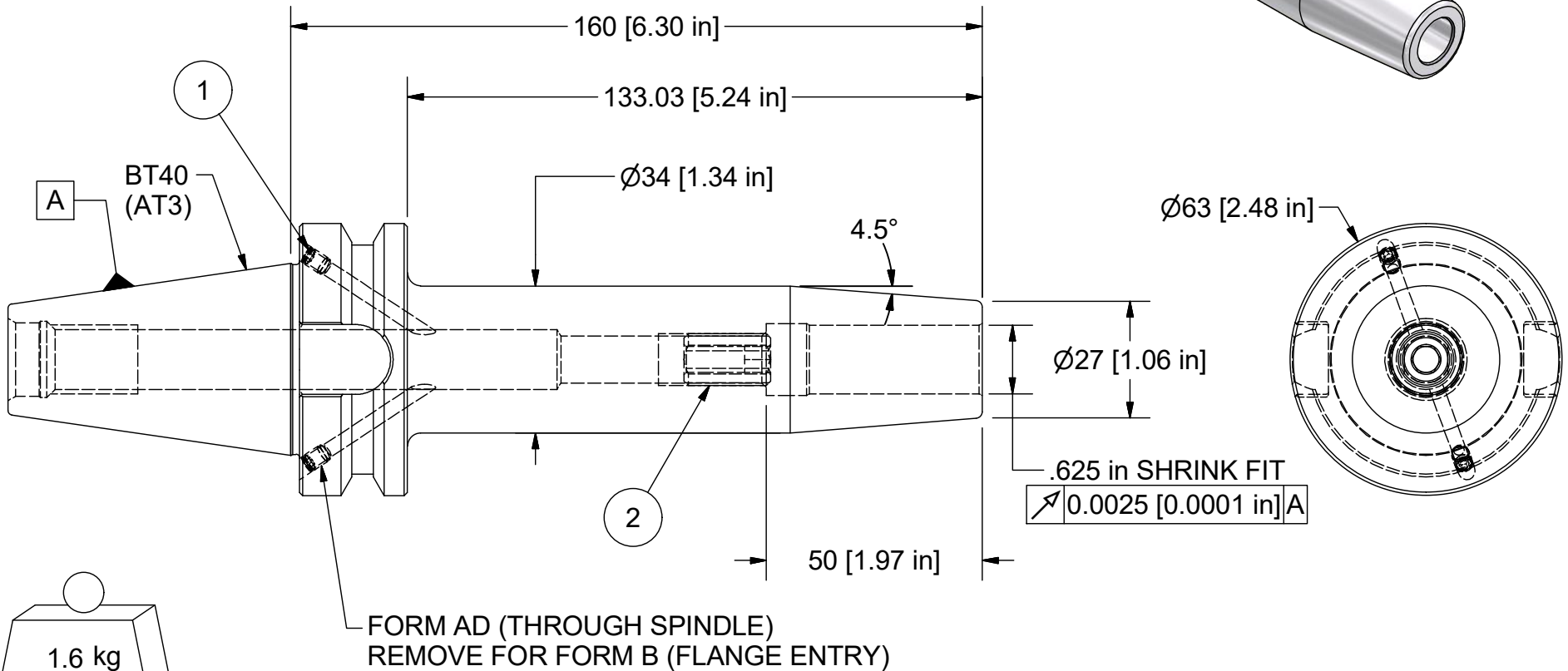
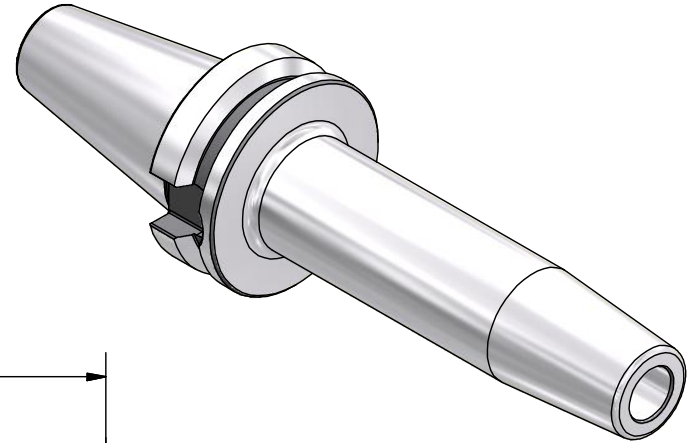


Parts List

ITEM	QTY	PART NUMBER	DESCRIPTION
1	2	029-965	SET SCREW, M4 x 6 W/360 DEG. PATCH
2	1	BS-SFM121-20	ADJUSTING SCREW OPTIONAL



BALANCE  
G2.5 @ 20,000 RPM

PART  
NUMBER

**BT40-62SF630-9**

**PARLEC**  
 (800) TOOL USA  
 WORLD HEADQUARTERS  
 101 PERINTON PARKWAY  
 FAIRPORT, NEW YORK 14450