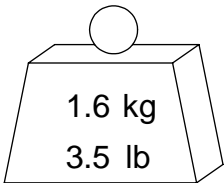
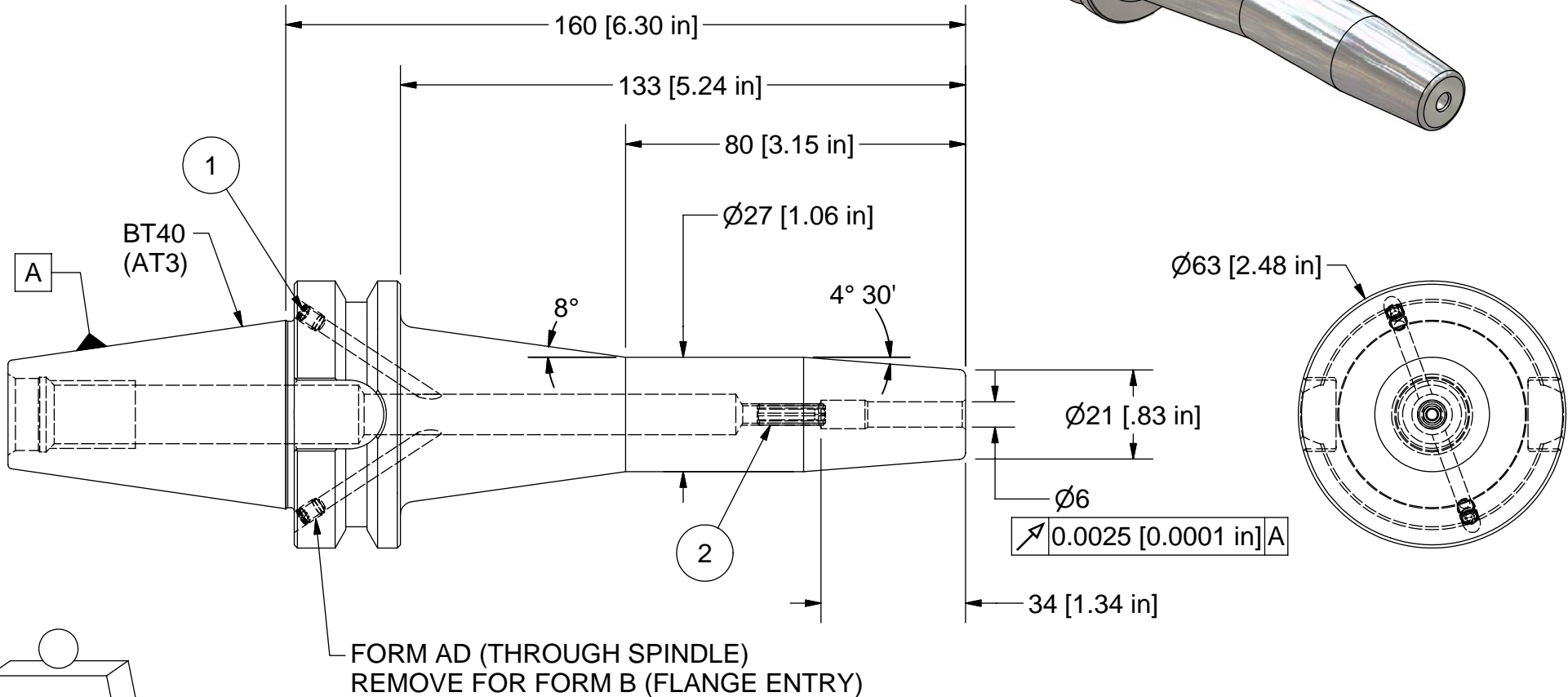
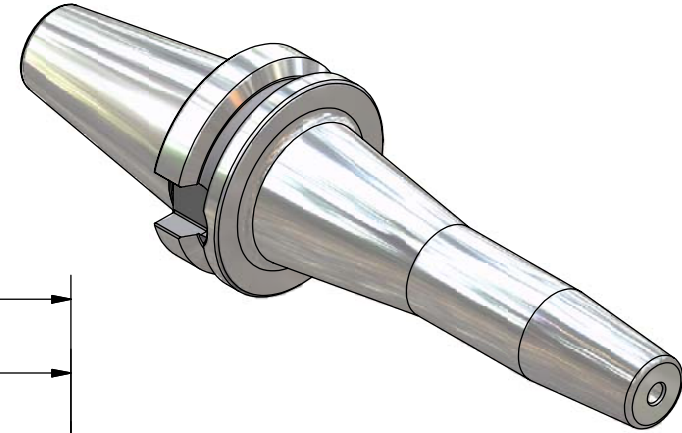


Parts List

| ITEM | QTY | PART NUMBER | DESCRIPTION |
|------|-----|--------------|---------------------------------------|
| 1 | 2 | 029-965 | SET SCREW, M4 x 6 W/360 DEG. PATCH |
| 2 | 1 | BS-SFM058-16 | ADJUSTING SCREW OPTIONAL |

| | |
|-----|------------|
| JIS | MAS 403 BT |
| DIN | 69882-8 |



| |
|-------------------|
| BALANCE |
| G2.5 @ 20,000 RPM |

PART
NUMBER

BT40-M06SF160-9

PARLEC
 (800) TOOL USA
 WORLD HEADQUARTERS
 101 PERINTON PARKWAY
 FAIRPORT, NEW YORK 14450