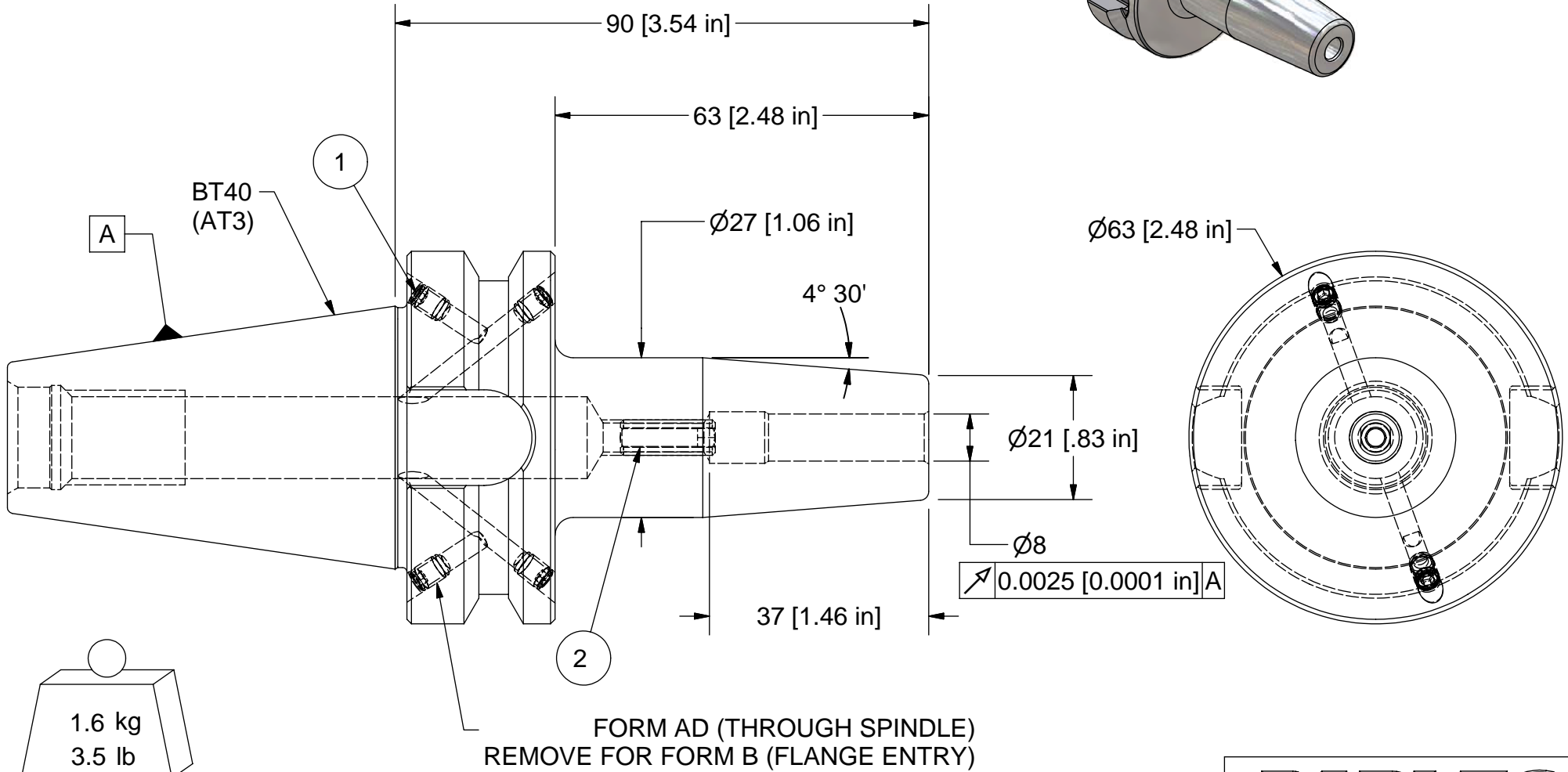
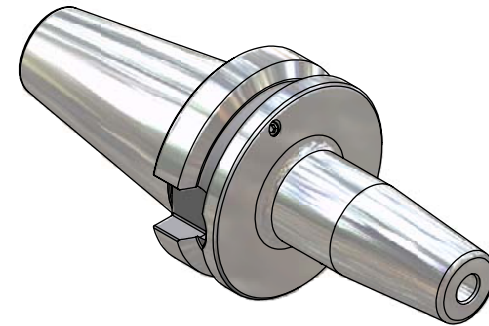


Parts List

ITEM	QTY	PART NUMBER	DESCRIPTION
1	4	029-965	SET SCREW, M4 x 6 W/360 DEG. PATCH
2	1	BS-SFM061-16	ADJUSTING SCREW OPTIONAL

JIS	MAS 403 BT
DIN	69882-8



BALANCE  
G2.5 @ 20,000 RPM

PART NUMBER  
**BT40-M08SF90-9**

**PARLEC**  
 (800) TOOL USA  
 WORLD HEADQUARTERS  
 101 PERINTON PARKWAY  
 FAIRPORT, NEW YORK 14450