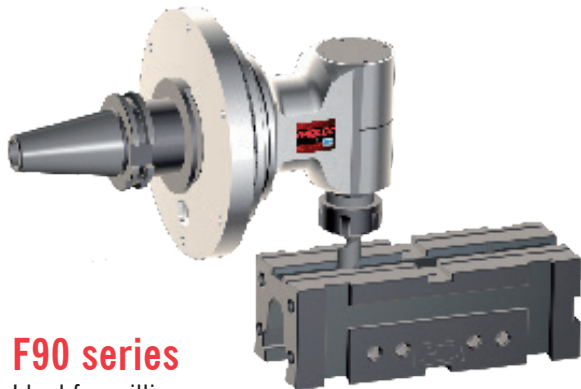


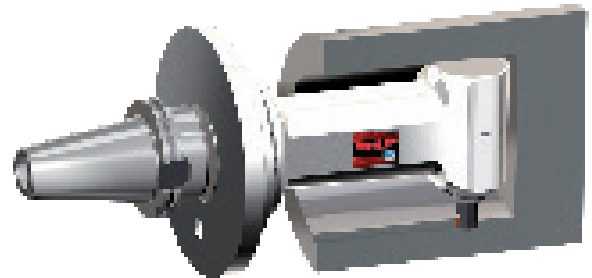
Selection Guide

MTC SERIES **EVOLUTION LINE** MANUAL TOOL CHANGE



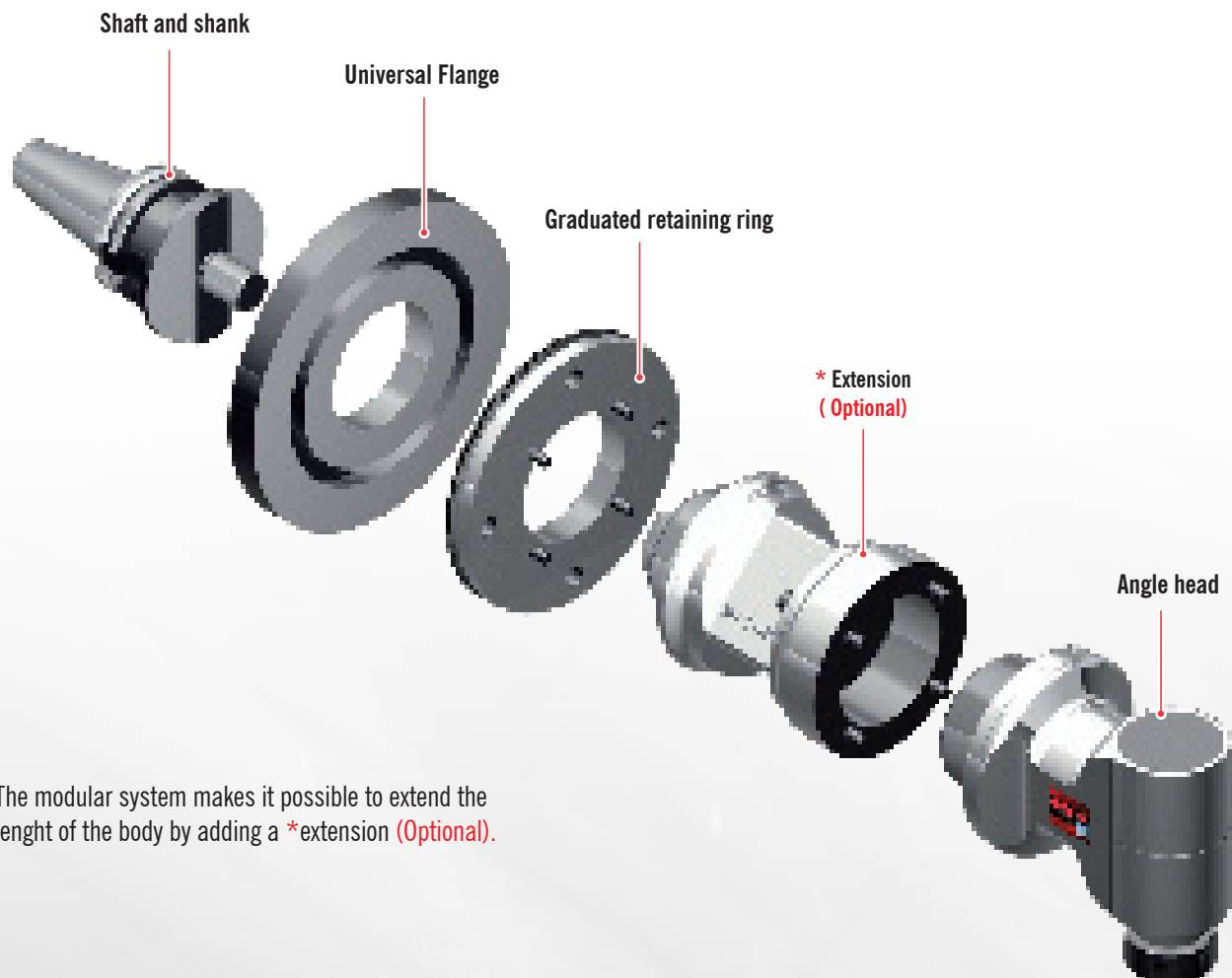
F90 series

Ideal for milling,
drilling, tapping at $\pm 90^\circ$



F90L series

Long series for machining at deep positions



The modular system makes it possible to extend the length of the body by adding a *extension (Optional).