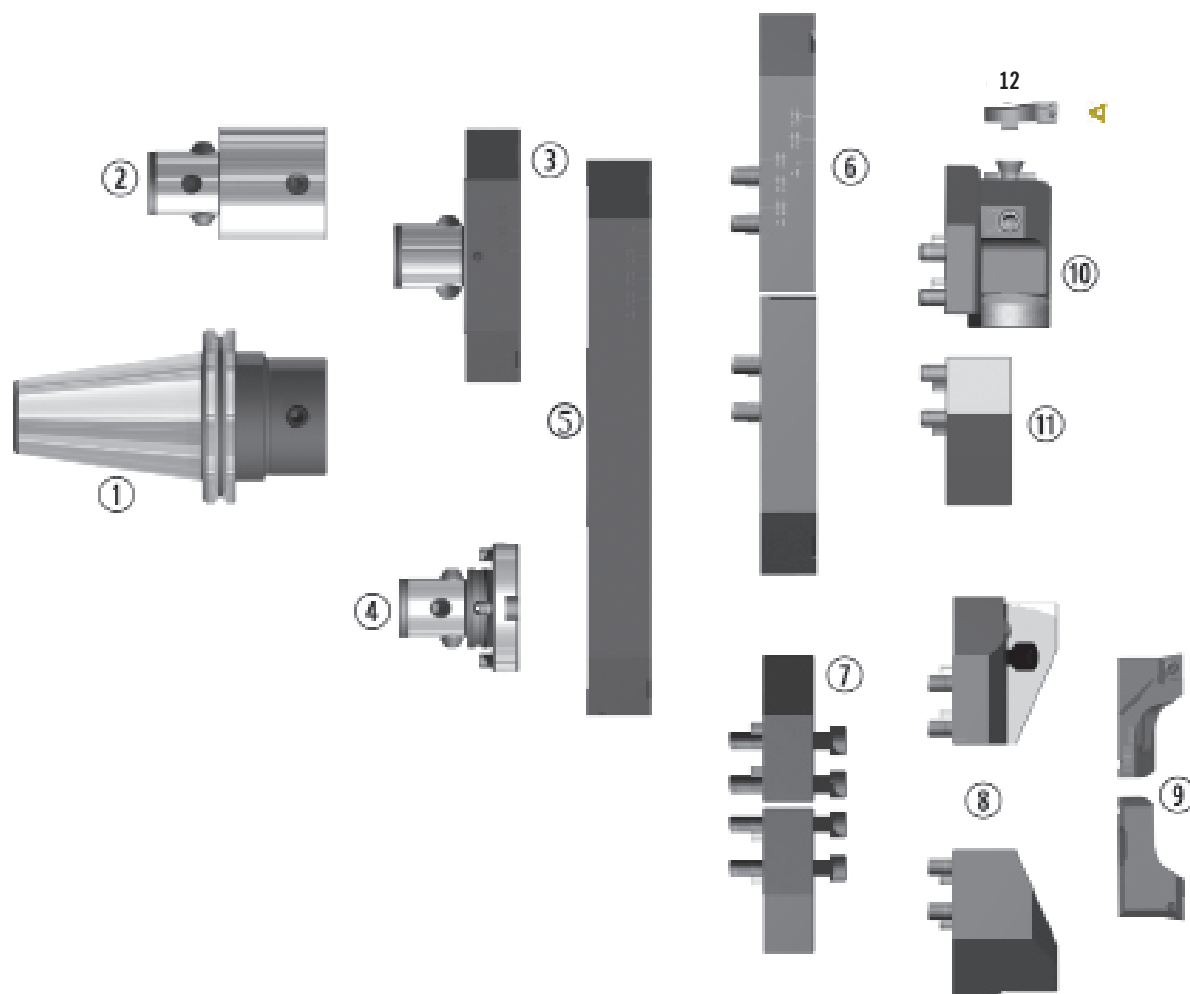


Configuring A Large Diameter System



5.95" - 26.35" (152-672MM) LARGE DIAMETER BORING RANGE TREE

Component	Selection Criteria	
1	Modular Shank	Machine tool taper and projection requirement
2	PC Extensions	Extended reach requirements
3	PC6 Extension Base	One piece design for 5.95"-8.50" (151.2 - 216mm)
4	Extension Base Coupler	Modular connection between shank and ext. base
5	Extension Base	Bore range 8.50" (216mm) and up
6	Extension Slide	Extends range of base to eliminate next size
7	Riser	Extends reach when used for OD boss
8	Insert Holder Base	Mounts rough insert holders to base
9	Twin Bore Insert Holders	Mounts and adjusts insert to diameter
10	Finish Boring Unit	For precision adjustment of finish bore diameter
11	Counter Weight	Offset the mass of Finish Boring Unit for high rpm
12	Finish Insert Holder	Mounts finish Insert to Finish Boring Unit