

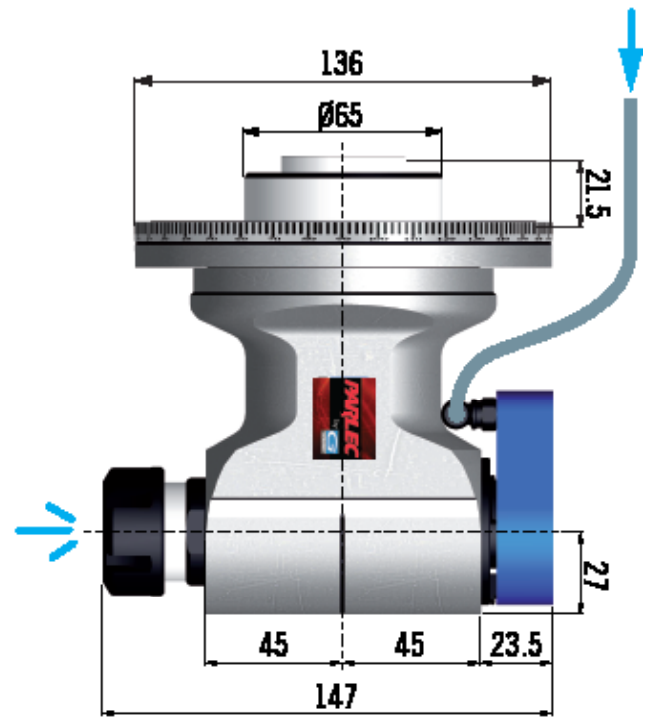
Coolant and Double Output Options

INTERNAL COOLANT OPTION MTC SERIES



F90MTC-16S 150 psi (10bar)

Coolant through the positioning pin and the tool, by rotating distributor



DOUBLE OUTPUT OPTION MTC SERIES



F90MTC-16S

